



**AMERICAN CRANE  
& EQUIPMENT CORPORATION**  
DOUGLASSVILLE, PA. 19518 U.S.A.  
PHONE: 610-385-6061  
FAX: 610-385-3191

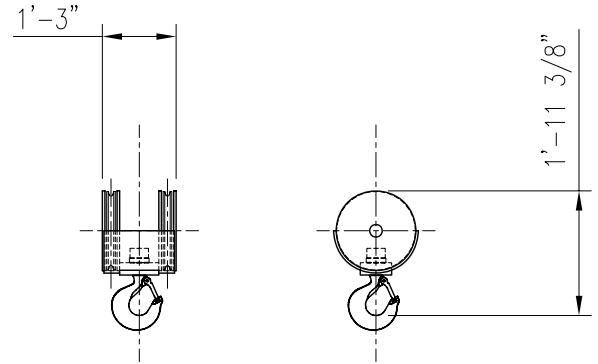
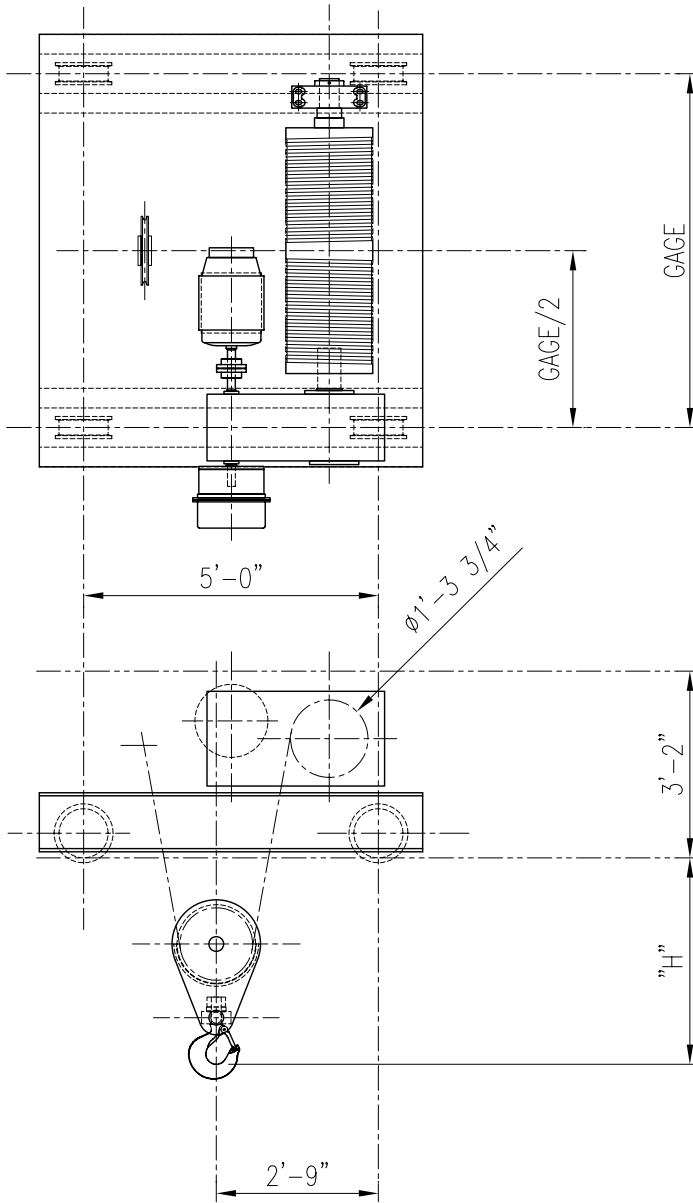
**TOP RUNNING TROLLEY  
W/ OPEN DECK HOIST**

**PRODUCT INFORMATION**

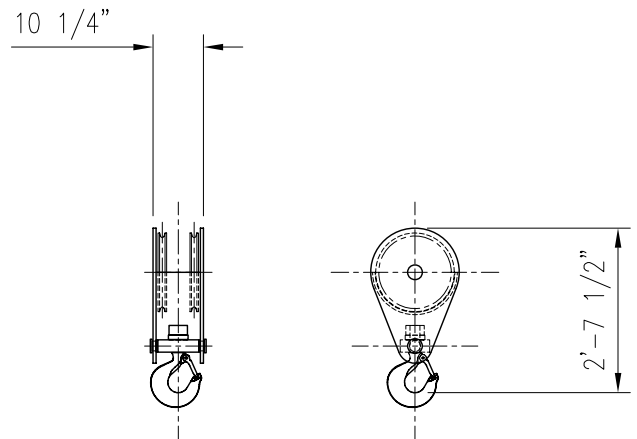
DWG. NO:  
**A-20418-6015**

**15 TON CAPACITY**

DATE: 07/20/09      REVISION: 0



LOW HEADROOM BLOCK



STANDARD HEADROOM BLOCK

ACECO RESERVES THE RIGHT TO MAKE CHANGES WITHOUT NOTICE.

**HOIST TECHNICAL DATA**

CAPACITY	15 TONS ( 30,000 LBS. )	HOIST SPEED	MOTOR DATA
		26 F.P.M.	30 HP / 1800 RPM
		16 F.P.M.	20 HP / 1800 RPM
CLASS	CMAA CLASS "D"	12 F.P.M.	15 HP / 1800 RPM
POWER SUPPLY	460V-3PH-60HZ		

**DIMENSIONAL INFORMATION**

MODEL NUMBER	GAGE	HEIGHT OF LIFT ON HOIST		H	
		STANDARD HEADROOM LOWER BLOCK	LOW HEADROOM LOWER BLOCK	STANDARD HEADROOM LOWER BLOCK	LOW HEADROOM LOWER BLOCK
20418-8015-5	5'-0"	37'-0"	29'-0"	3'-4"	2'-8"
20418-8015-6	6'-0"	55'-6"	47'-6"		
20418-8015-7	7'-0"	74'-0"	66'-6"		