



**AMERICAN CRANE  
& EQUIPMENT CORPORATION**  
DOUGLASSVILLE, PA. 19518 U.S.A.  
PHONE: 610-385-6061  
FAX: 610-385-3191

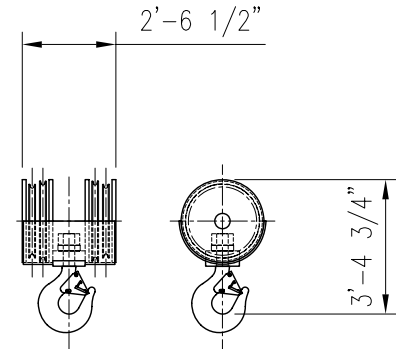
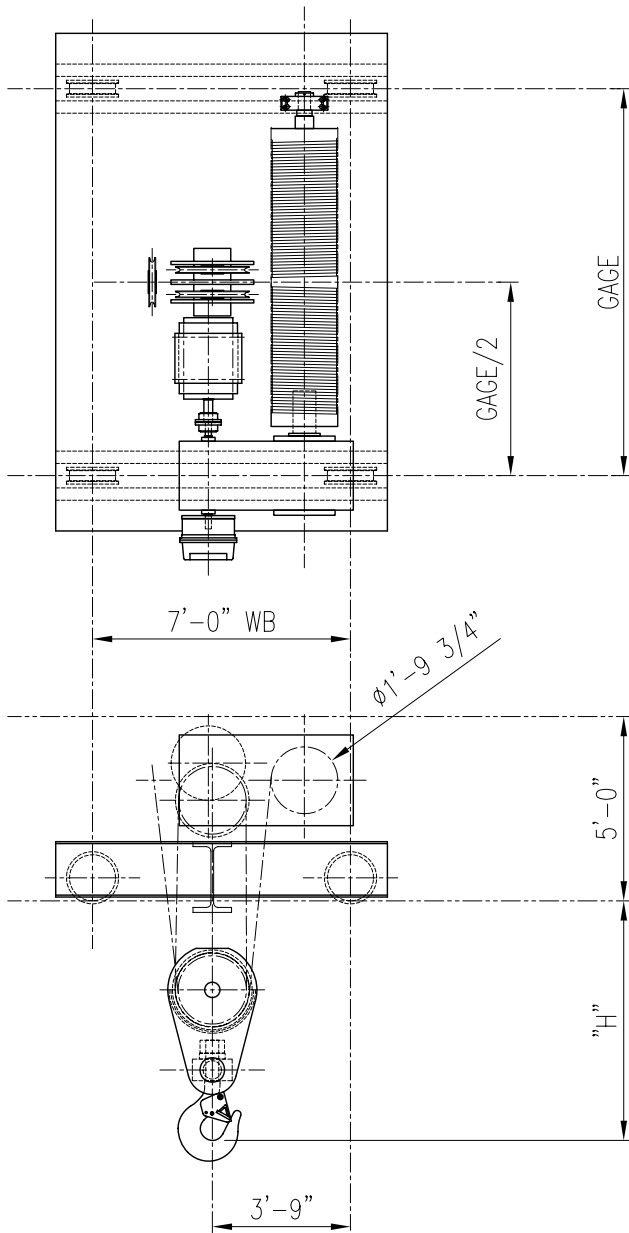
**TOP RUNNING TROLLEY  
W/ OPEN DECK HOIST**

**PRODUCT INFORMATION**

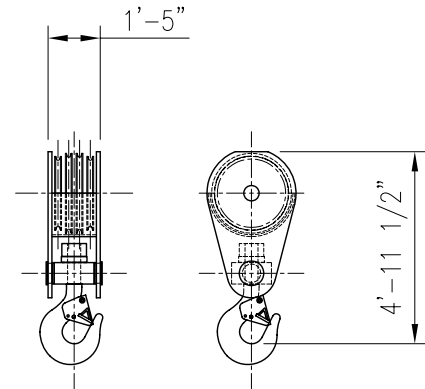
DWG. NO:  
**A-20418-6060**

**60 TON CAPACITY**

DATE: 07/20/09      REVISION: 0



LOW HEADROOM BLOCK



STANDARD HEADROOM BLOCK

ACECO RESERVES THE RIGHT TO MAKE CHANGES WITHOUT NOTICE.

**HOIST TECHNICAL DATA**

CAPACITY	60 TONS ( 120,000 LBS. )	CLASS	CMAA CLASS "D"	HOIST SPEED	MOTOR DATA
				17 F.P.M.	75 HP / 1800 RPM
				14 F.P.M.	60 HP / 1800 RPM
POWER SUPPLY	460V-3PH-60HZ			10 F.P.M.	50 HP / 1800 RPM

**DIMENSIONAL INFORMATION**

MODEL NUMBER	GAGE	HEIGHT OF LIFT ON HOIST		H	
		STANDARD HEADROOM LOWER BLOCK	LOW HEADROOM LOWER BLOCK	STANDARD HEADROOM LOWER BLOCK	LOW HEADROOM LOWER BLOCK
20418-8060-10.5	10'-6"	54'-0"	44'-0"	6'-3"	4'-9"
20418-8060-11	11'-0"	59'-0"	49'-0"		
20418-8060-12	12'-0"	69'-0"	59'-0"		