



**AMERICAN CRANE  
& EQUIPMENT CORPORATION**  
DOUGLASSVILLE, PA. 19518 U.S.A.  
PHONE: 610-385-6061  
FAX: 610-385-3191

**TOP RUNNING TROLLEY  
W/ OPEN DECK HOIST**

**PRODUCT INFORMATION**

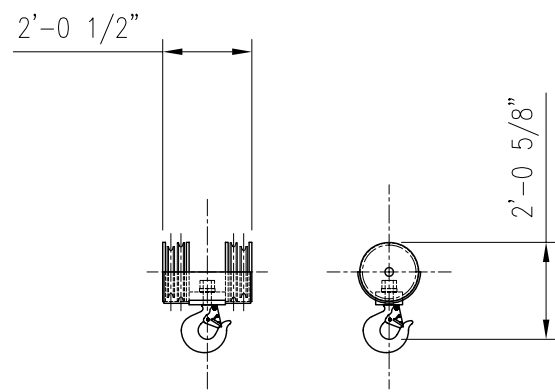
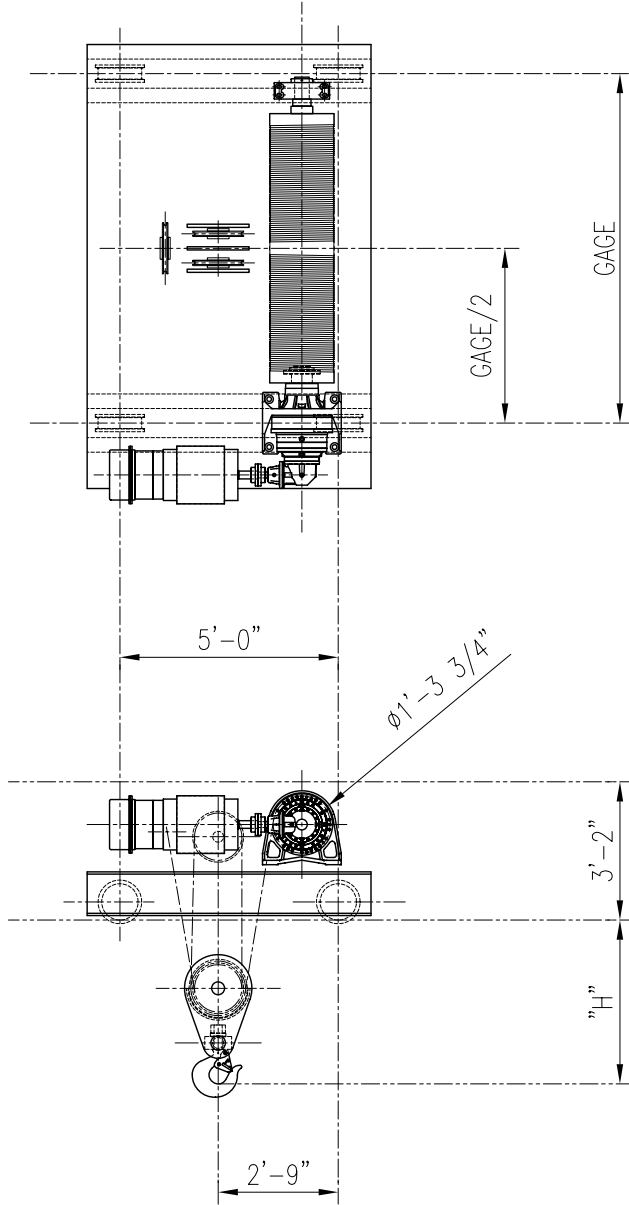
DWG. NO:

**A-20418-7021**

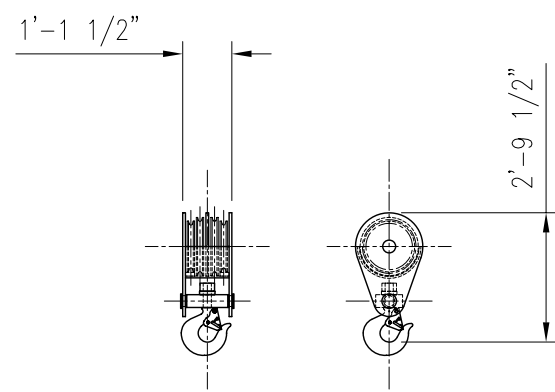
**20 TON CAPACITY**

DATE: 07/20/09

REVISION: 0



LOW HEADROOM BLOCK



STANDARD HEADROOM BLOCK

ACECO RESERVES THE RIGHT TO MAKE CHANGES WITHOUT NOTICE.

**HOIST TECHNICAL DATA**

CAPACITY	20 TONS ( 40,000 LBS. )	HOIST SPEED	MOTOR DATA
CLASS	CMAA CLASS "D"	27 F.P.M.	40 HP / 1800 RPM
POWER SUPPLY	460V-3PH-60HZ	19 F.P.M.	30 HP / 1800 RPM
		12 F.P.M.	20 HP / 1800 RPM

**DIMENSIONAL INFORMATION**

MODEL NUMBER	GAGE	HEIGHT OF LIFT ON HOIST		H	
		STANDARD HEADROOM LOWER BLOCK	LOW HEADROOM LOWER BLOCK	STANDARD HEADROOM LOWER BLOCK	LOW HEADROOM LOWER BLOCK
20418-8021-8	8'-0"	54'-6"	47'-6"	3'-7"	2'-10"
20418-8021-9	9'-0"	65'-9"	58'-9"		
20418-8021-10	10'-0"	77'-0"	70'-0"		