



**AMERICAN CRANE
& EQUIPMENT CORPORATION**
DOUGLASSVILLE, PA. 19518 U.S.A.
PHONE: 610-385-6061
FAX: 610-385-3191

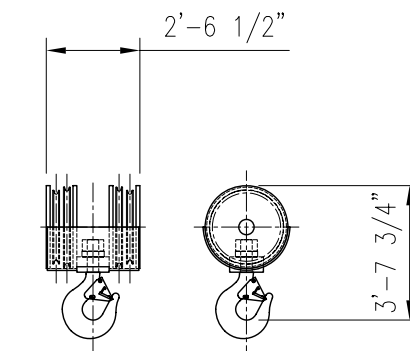
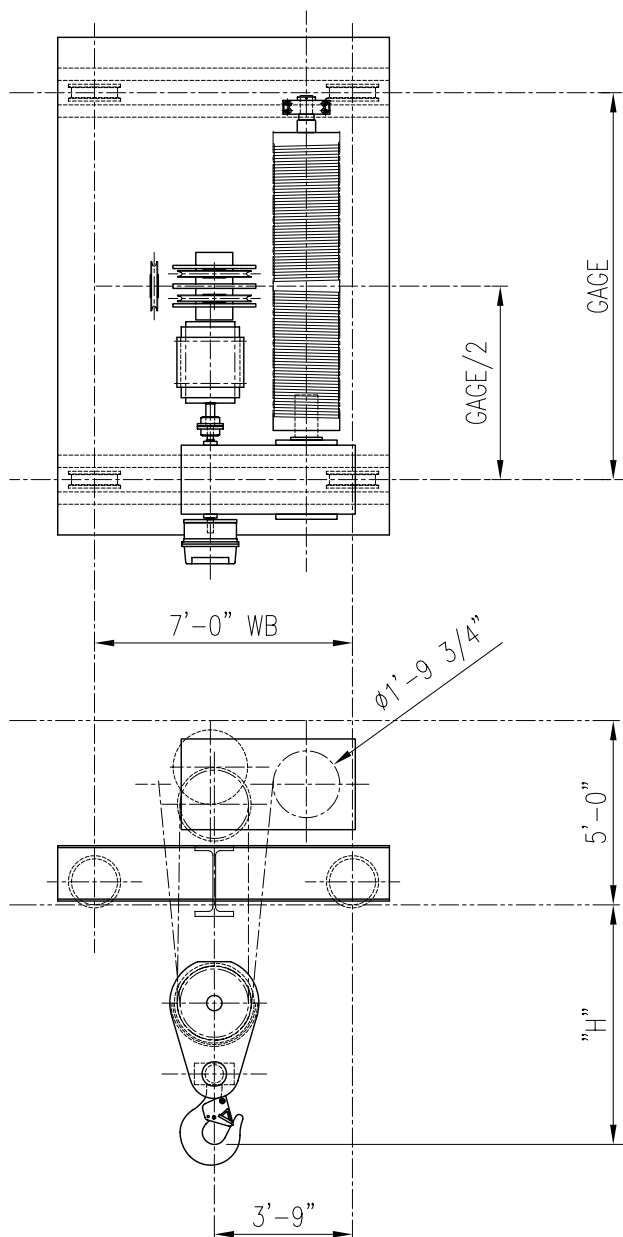
**TOP RUNNING TROLLEY
W/ OPEN DECK HOIST**

50 TON CAPACITY

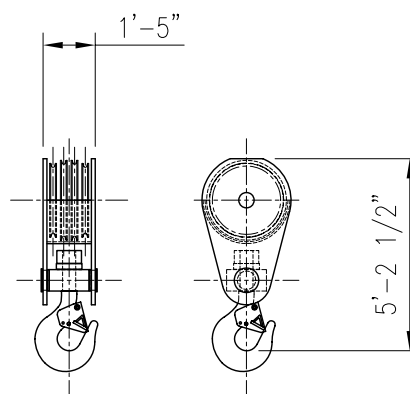
PRODUCT INFORMATION

DWG. NO:
A-20418-8050

DATE: 07/20/09 REVISION: 1



LOW HEADROOM BLOCK



STANDARD HEADROOM BLOCK

ACECO RESERVES THE RIGHT TO MAKE CHANGES WITHOUT NOTICE.

HOIST TECHNICAL DATA

CAPACITY	50 TONS (100,000 LBS.)	CLASS	CMAA CLASS "E"	HOIST SPEED	MOTOR DATA
				20 F.P.M.	75 HP / 1200 RPM
				17 F.P.M.	60 HP / 1800 RPM
POWER SUPPLY	460V-3PH-60HZ			13 F.P.M.	50 HP / 1800 RPM

DIMENSIONAL INFORMATION

MODEL NUMBER	GAGE	HEIGHT OF LIFT ON HOIST		H	
		STANDARD HEADROOM LOWER BLOCK	LOW HEADROOM LOWER BLOCK	STANDARD HEADROOM LOWER BLOCK	LOW HEADROOM LOWER BLOCK
20418-8050-10.5	10'-6"	54'-0"	44'-0"	6'-6"	5'-0"
20418-8050-11	11'-0"	59'-0"	49'-0"		
20418-8050-12	12'-0"	69'-0"	59'-0"		