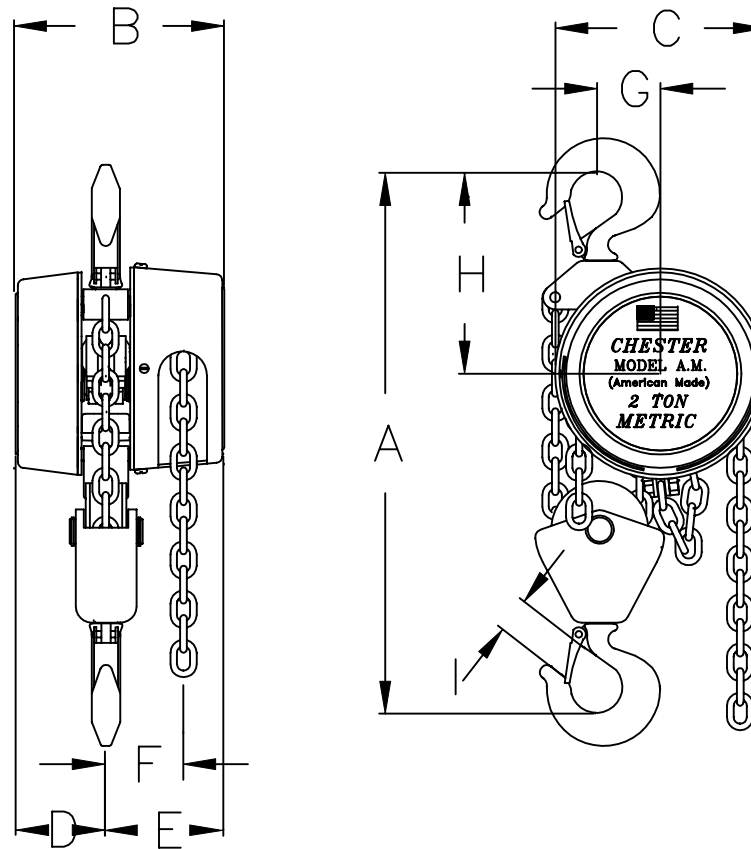


FOR MORE INFO CONTACT:
American Crane & Equipment Corp.
Authorized Distributor
Tel: 877-503-2972
Fax: 484-945-0430
Email: sales@americancrane.com
www.americancrane.com



A	B	C	D	E	F	G	H	I
15 1/2"	6 1/2"	6 1/4"	2 13/16"	3 11/16"	2 1/2"	2 1/4"	6 1/4"	1"

MK.	REVISIONS	CK-DATE

2 METRIC TON "AM" HOIST

CHESTER HOIST

LISBON, OHIO

DR. RLB	TR.	CK.	AP.
SCALE NONE		DATE 6-19-00	
REF. DWG. NO. 2AM			
Dwg. No. CD014			