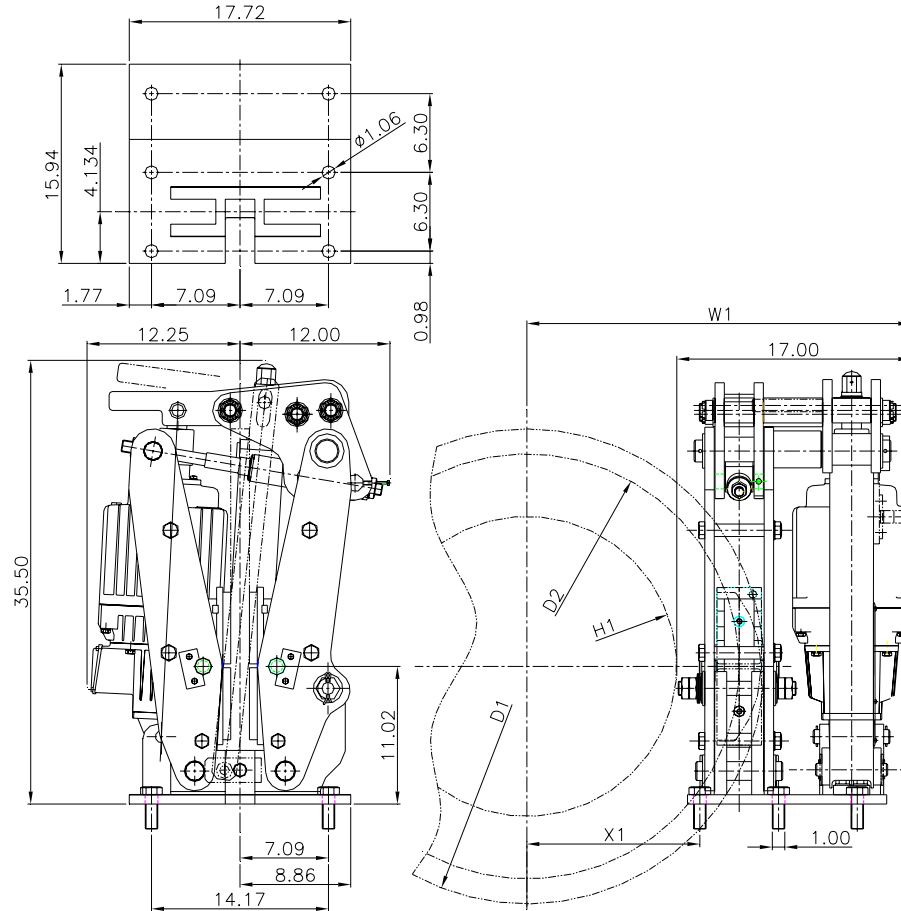




Mondel Engineering

DT5 Disc Brake
DT-DISC

Technical Document #: DT5-05-2005



Standard brake designed for 1.50" disc width

DISC DIAMETER	C/L FRICTION DIAMETER	MAX HUB DIAMETER	THRUSTER TYPE				
			ED121	ED201	ED301	TORQUE RANGE (LbFt)	
D1	D2	H1	W1	X1			
29.00"	25.00"	10.50"	27.00"	9.40"	2060 - 3430	3260 - 5430	4635 - 7715
31.50"	26.50"	16.00"	27.80"	10.00"	2265 - 3770	3585 - 5970	5095 - 8485
34.00"	30.00"	19.50"	29.50"	11.90"	3470 - 4115	3915 - 6515	5555 - 9260
35.40"	31.40"	21.00"	30.20"	12.60"	2590 - 4310	4100 - 6825	5825 - 9700
38.00"	34.00"	23.50"	31.50"	13.90"	2800 - 4665	4435 - 7385	6300 - 10495
39.40"	35.40"	25.00"	32.20"	14.60"	2915 - 4850	4615 - 7680	4550 - 10920
49.20"	45.20"	34.50"	37.10"	19.50"	3725 - 6200	5895 - 9820	8375 - 13955
50.00"	46.00"	35.50"	37.50"	19.90"	3790 - 6310	6000 - 9990	8525 - 14200

All dimensions are shown in inches

WGT (Lbs.)

580

580

582

Mondel Engineering
2610 Dunwin Dr.
Mississauga, Ontario
Canada L5L 1J5
Phone: 800-792-7253
Fax: 905-828-5707

Mondel US
N49 W13650 Campbell Drive
Menomonee Falls, WI 53051
Phone: 800-288-8178
Fax: 800-298-3503

www.magnetekmh.com