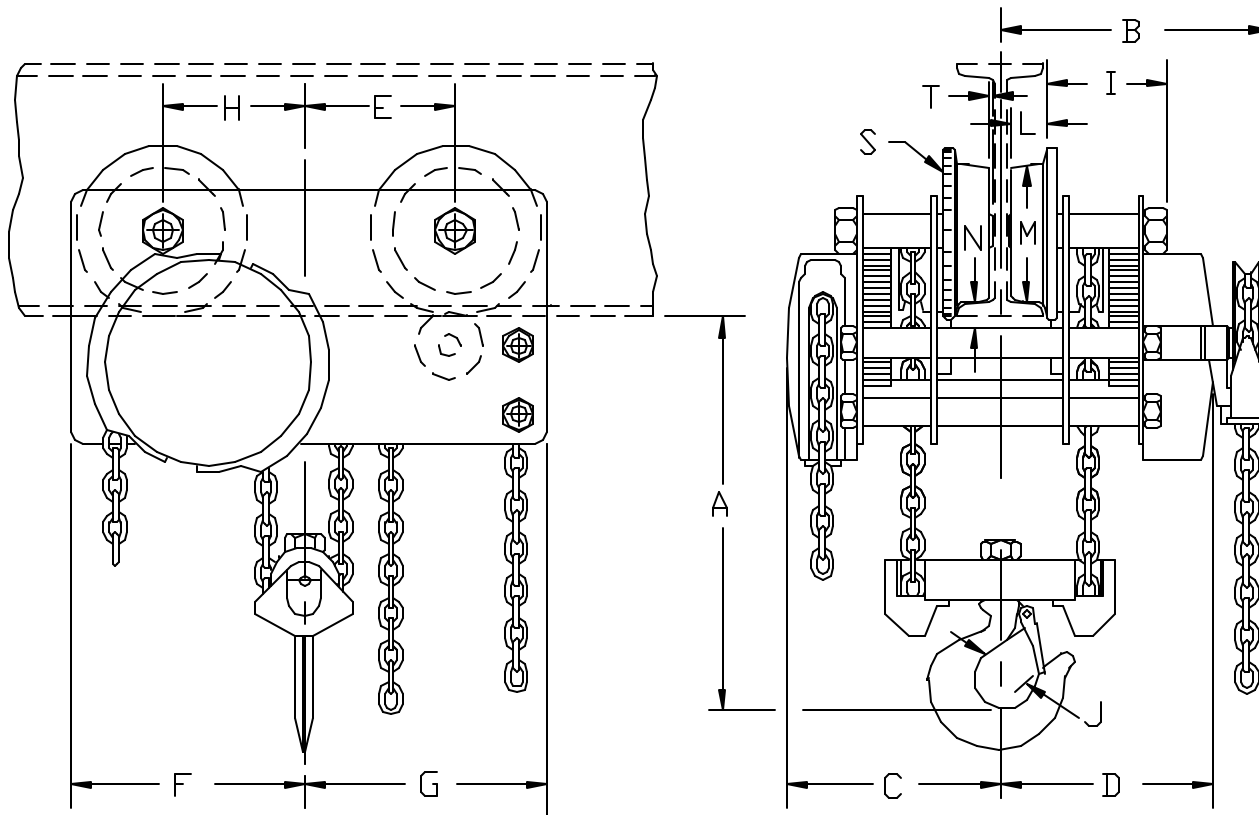


FOR MORE INFO CONTACT: American Crane & Equipment Corp. - Authorized Distributor
 Tel: 877-503-2972 Fax: 484-945-0430 Email: sales@americancrane.com Website: www.americancrane.com

PC#1 NO. REQ. 1



A	8"
**B	13 1/16"
C	10 3/16"
D	10 3/16"
E	6 1/2"
F	10 5/8"
G	10 5/8"
H	6 5/8"
I	6 3/8"
J	1 11/16"
L	1 11/32"
M	6 3/8"
#*N	15/16"
^S	8"
T	1/4"

* TO WHEEL RUNNING SURFACE OF BEAM
 ** "B" APPLIES TO GEARED UNITS ONLY - FOR PLAIN UNITS DIM. "C" & "D" ARE MAX. 1/2 WIDTH
 # TO UNDER BEAM ROLLER - (CLOSEST POINT OF CONTACT)
 ^ FROM THE FACE OF WHEEL TO END OF AXLE
 CUSTOMER MUST TAKE INTO CONSIDERATION FLANGE WIDTH AND THICKNESS OF BEAM
 DIM. SHOWN ARE CORRECT FOR ANY "S" OR "W" BEAM, (FLAT TREAD WHEELS, NOT SHOWN, ARE SUPPLIED FOR "W" BEAM APPLICATIONS)

			4 TON LOW HEADROOM HOIST				DR. RLB	TR.	CK.	AP.
			CHESTER HOIST				SCALE NONE		DATE 10/15/02	
			LISBON, OHIO				REF. DVG. NO. ZLG31 UPDATED			
			Dwg. No. CD093							
REVISIONS	CK-DATE									

MK.