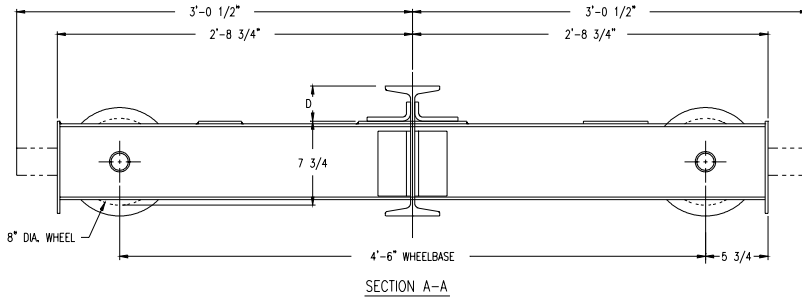


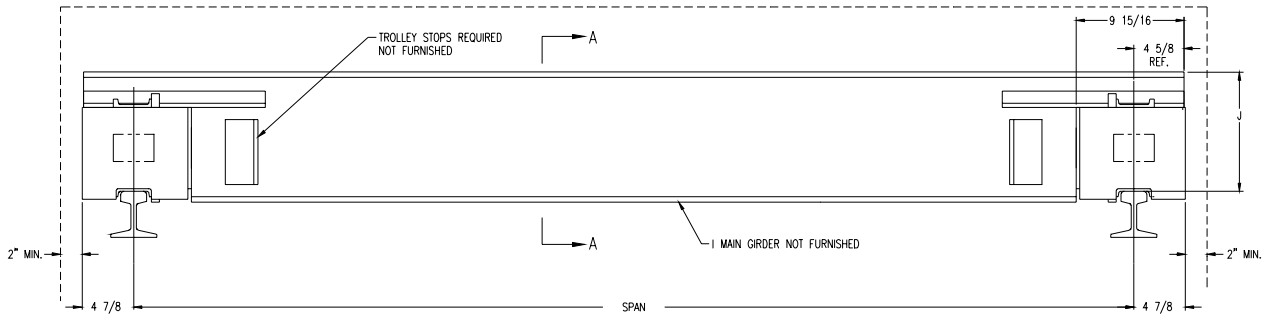
Outline Dimensions

Push Type

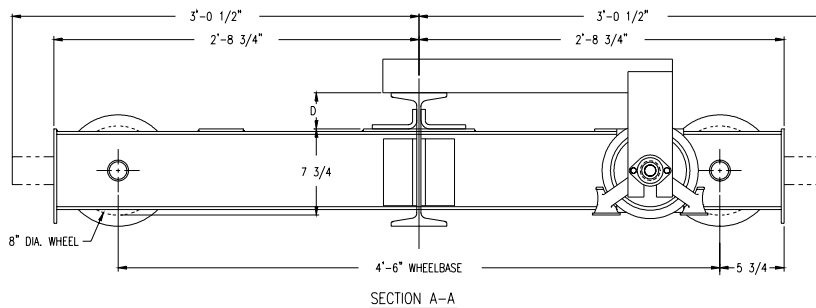


Beams (Depth)	D
6", 7", 8", 10" & 12"	3-1/4"
15", 18" & 20"	4-3/4"

$$J = 7\text{-}3/4" + D + 3"$$



Hand Geared



Beams (Depth)	D
6", 7", 8", 10" & 12"	3-1/4"
15", 18" & 20"	4-3/4"

$$J = 7\text{-}3/4" + D + 3"$$

