



**AMERICAN CRANE  
& EQUIPMENT CORPORATION**  
DOUGLASSVILLE, PA. 19518 U.S.A.  
PHONE: 610-385-6061  
FAX: 610-385-3191

**LOW HEADROOM  
MONORAIL TROLLEY**

**5 TON CAPACITY**

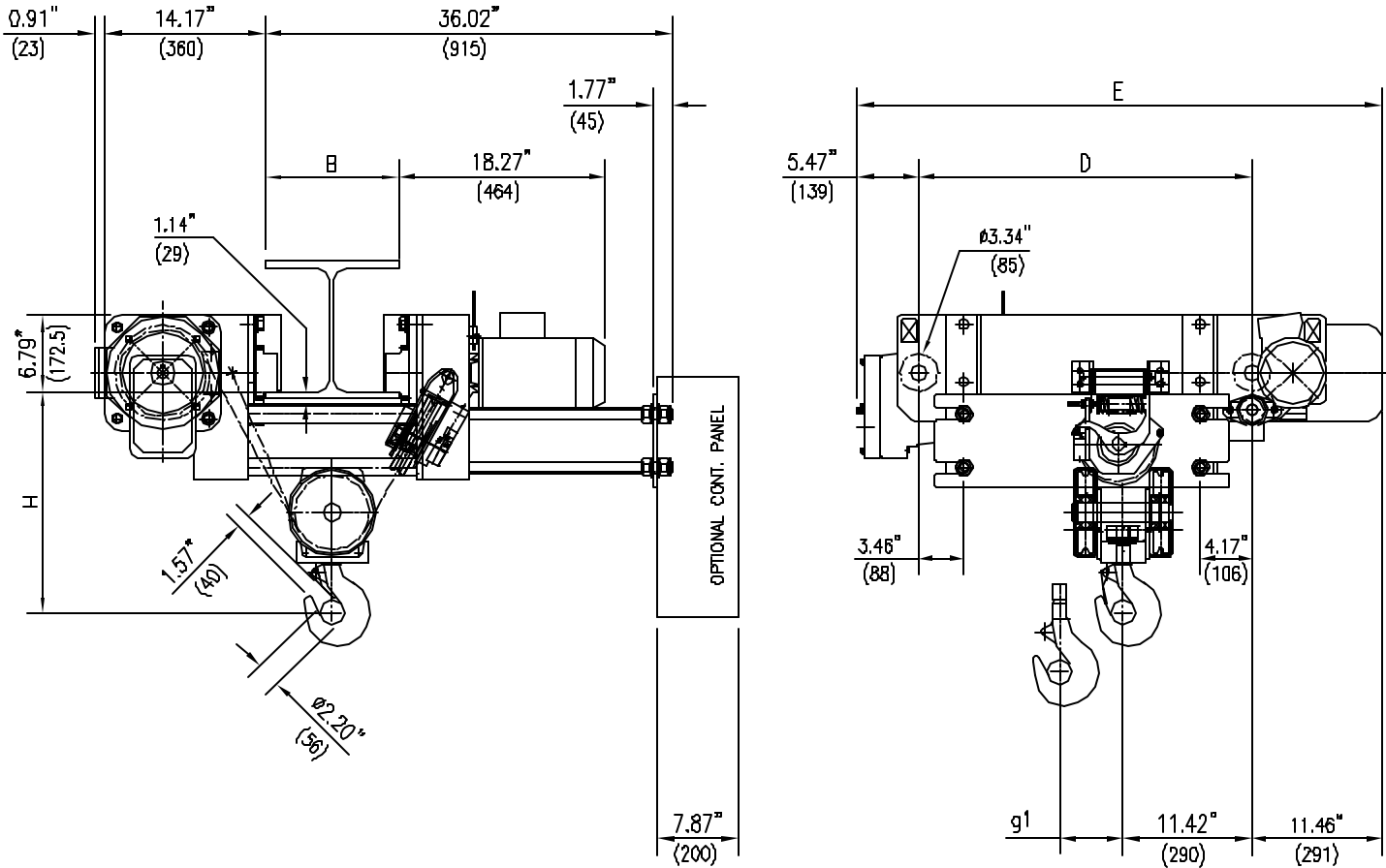
**PRODUCT INFORMATION**

DWG. NO:

**3111D-1423**

DATE: 23.4.01

REVISION: B



ACECO RESERVES THE RIGHT TO MAKE CHANGES WITHOUT NOTICE.

**HOIST TECHNICAL DATA**

CAPACITY:	5 TONS (10000 LBS)	HOIST CLASS:	HMI H4	HOIST MOTOR:	6.4/1.6 HP, 3600/900 RPM, TEFC, S3 - 30%, CLASS "F" INSULATION
HOIST SPEED:	16 / 4 F.P.M (OPT. SPEEDS AVAILABLE)	POWER SUPPLY:	460V-3PH-60HZ	HOIST MOTOR:	6275-52
TROLLEY SPEED:	67 / 15 F.P.M. (OPT. SPEEDS AVAILABLE)	HOIST MOTOR:	6275-52	TROLLEY MOTOR:	4/.1 HP, 3600/900 RPM, TEFC, S3 - 60%, CLASS "F" INSULATION
		TROLLEY MOTOR:	9100-1035R08C		

**DIMENSIONAL INFORMATION**

HOIST TYPE	HEIGHT OF LIFT		g1 INCHES (mm)	D INCHES (mm)	E INCHES (mm)	WEIGHT LBS (KG)	FLANGE WIDTH "F"		HEADROOM "H"	
	METERS	FEET					mm	INCHES	mm	INCHES
3111D-1423	7.1	23'-3"	4.13 (105)	29.45 (748)	46.38 (1178)	781 (356)	≤ 200	≤ 7.87	490	19.29
3111D-2423	10.1	33'-1"	5.91 (150)	36.54 (928)	53.46 (1358)	838 (381)	≤ 305	≤ 12.00	495	19.49
3111D-3423	12.5	41'-0"	7.28 (185)	42.05 (1068)	58.98 (1498)	887 (403)	≤ 406	≤ 15.98	588	23.15
3111D-4423	17	55'-9"	9.88 (251)	52.48 (1333)	69.41 (1763)	983 (447)	≤ 500	≤ 19.68	680	26.77
3111D-5423	21.3	69'-10"	12.40 (315)	62.44 (1586)	79.37 (2016)	1049 (477)	≤ 600	≤ 23.62	775	30.51