



**AMERICAN CRANE  
& EQUIPMENT CORPORATION**  
DOUGLASSVILLE, PA. 19518 U.S.A.  
PHONE: 610-385-6061  
FAX: 610-385-3191

**LOW HEADROOM  
MONORAIL TROLLEY**

**20 TON CAPACITY**

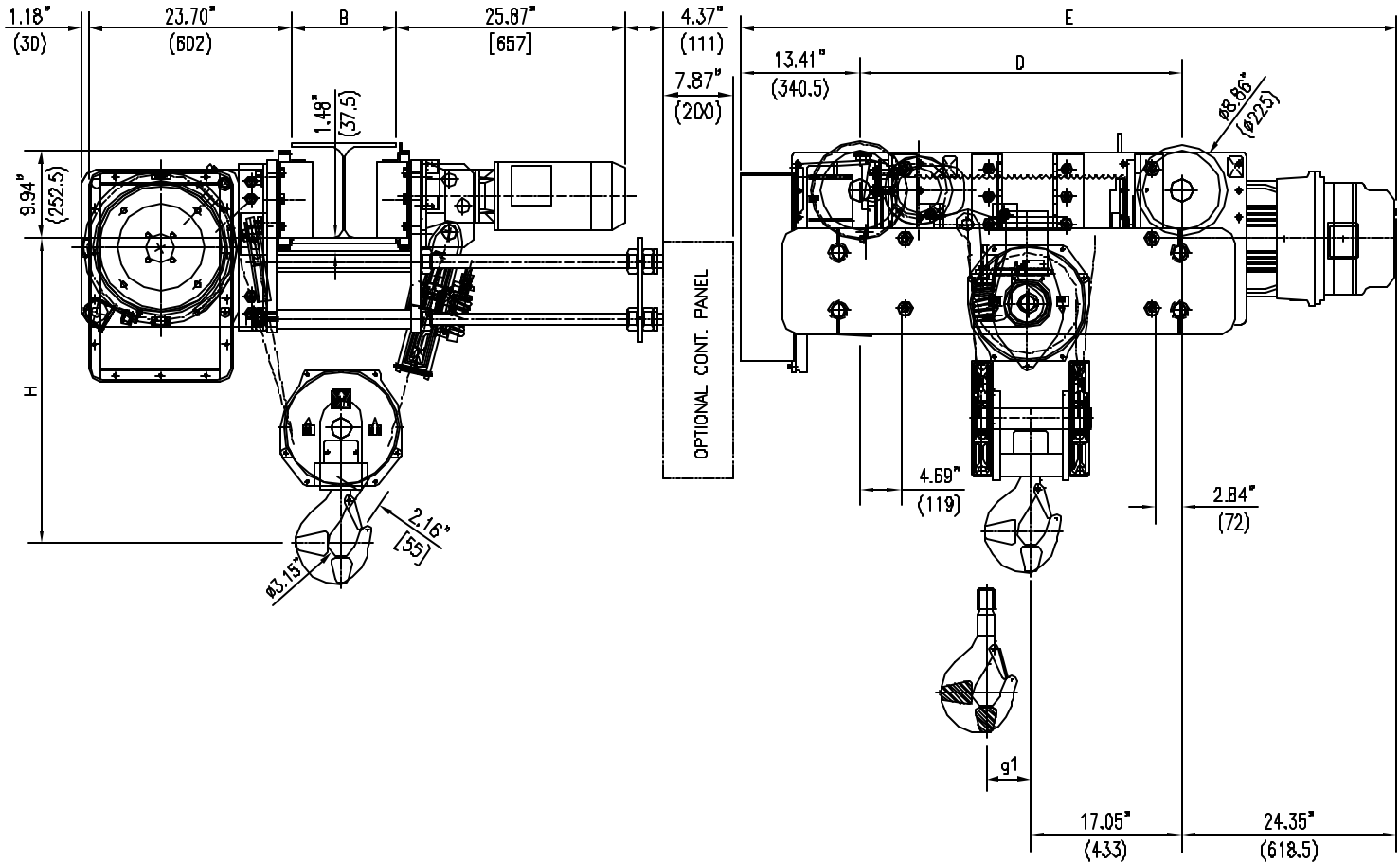
**PRODUCT INFORMATION**

DWG. NO:

**3141A-1423**

DATE: 01.11.00

REVISION: 0



ACECO RESERVES THE RIGHT TO MAKE CHANGES WITHOUT NOTICE.

**HOIST TECHNICAL DATA**

CAPACITY:	20 TONS (40000 LBS)	HOIST CLASS:	HMI H4	HOIST MOTOR:	26.8/8.4 HP, 1800/600 RPM, TEFC, S3 - 30%, CLASS "F" INSULATION
HOIST SPEED:	17 / 6 F.P.M. ( OPT. SPEEDS AVAILABLE )	POWER SUPPLY:	460V-3PH-60HZ		
TROLLEY SPEED:	75 / 18 F.P.M. ( OPT. SPEEDS AVAILABLE )	HOIST MOTOR:	6275-67	TROLLEY MOTOR:	2.4/.6 HP, 3600/900 RPM, TEFC, S3 - 60%, CLASS "F" INSULATION
		TROLLEY MOTOR:	9100-1575R08G		

**DIMENSIONAL INFORMATION**

HOIST TYPE	HEIGHT OF LIFT		g1 INCHES ( mm )	D INCHES ( mm )	E INCHES ( mm )	WEIGHT LBS ( KG )	FLANGE WIDTH "B"		HEADROOM "H"	
	METERS	FEET					mm	INCHES	mm	INCHES
3141A-1423	7.7	25'-3"	4.72 ( 120 )	36.42 ( 925 )	74.17 ( 1884 )	3341 ( 1515 )	< 200	< 7.87	950	37.40
3141A-2423	11.8	38'-9"	7.28 ( 185 )	46.50 ( 1181 )	84.25 ( 2140 )	3771 ( 1710 )	< 305	< 12.00	925	36.42
3141A-3423	19.2	63'-0"	11.65 ( 296 )	64.17 ( 1630 )	101.93 ( 2589 )	4189 ( 1900 )	< 406	< 15.98	880	34.64
3141A-4423	-	-	-	-	-	-	< 500	< 19.68	850	33.46
3141A-5423	25.0	82'-0"	15.28 ( 388 )	78.35 ( 1990 )	116.10 ( 2949 )	4498 ( 2040 )	< 600	< 23.62	950	37.40