



**AMERICAN CRANE
& EQUIPMENT CORPORATION**
DOUGLASSVILLE, PA. 19518 U.S.A.
PHONE: 610-385-6061
FAX: 610-385-3191

**3151
TOP RUNNING TROLLEY**

25 TON CAPACITY

PRODUCT INFORMATION

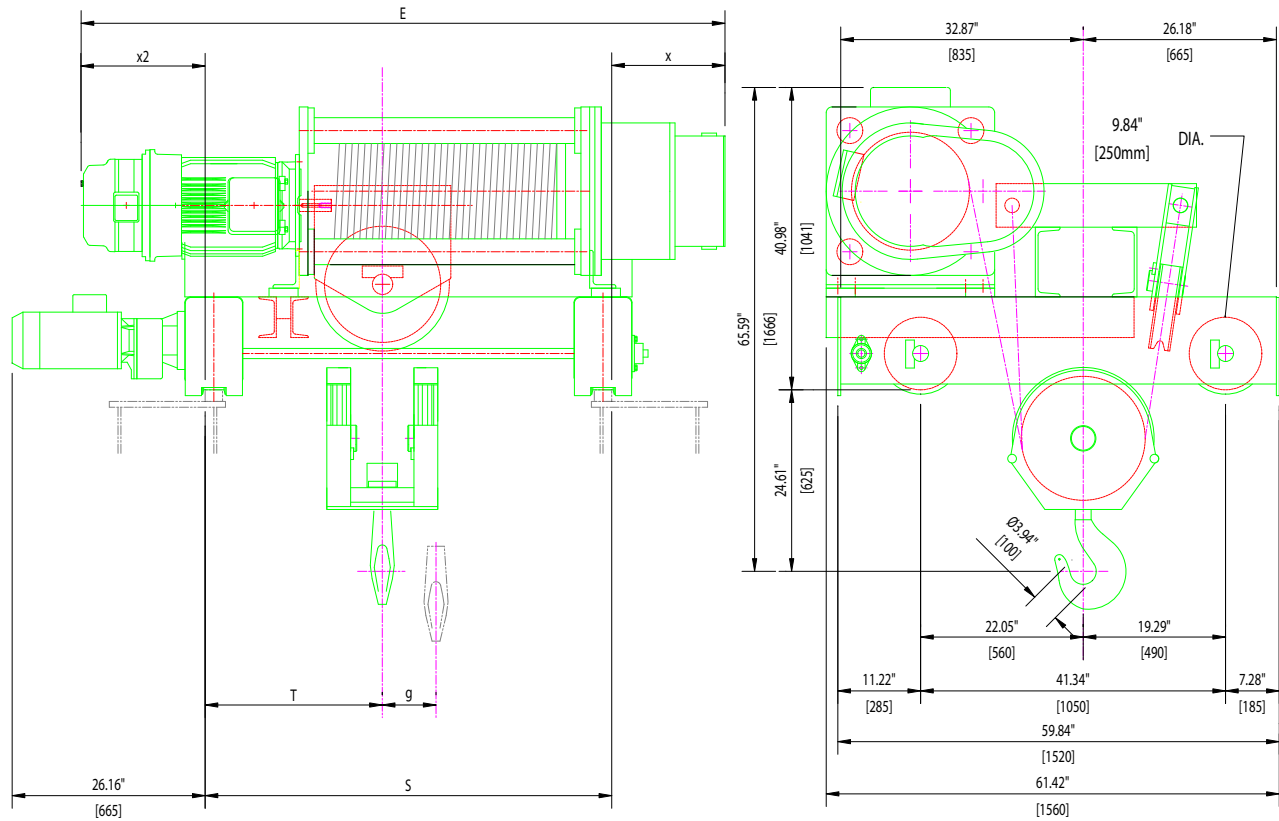
DWG. NO:

3151A-1426

DATE: 10/21/04

REVISION:

1



ACECO RESERVES THE RIGHT TO MAKE CHANGES WITHOUT NOTICE.

HOIST TECHNICAL DATA

CAPACITY:	25 TONS [50,000 LBS]	HOIST CLASS:	HMI H4	HOIST MOTOR:	26.8/8.4 HP AT 1800/600 RPM TEFC, S3 - 40%, CLASS "F" INSULATION
HOIST SPEED:	13/4 FPM	POWER SUPPLY:	460-3PH-60HZ		
TROLLEY SPEED:	83/20 FPM	HOIST MOTOR:	6275-67	TROLLEY MOTOR:	2.4/6 HP AT 3260/780 RPM TEFC, S3 - 40%, CLASS "F" INSULATION
		TROLLEY MOTOR:	9100-1575R08G		

DIMENSIONAL INFORMATION

HOIST TYPE	HEIGHT OF LIFT		S INCHES (mm)	T INCHES (mm)	g1 INCHES (mm)	x1 INCHES (mm)	x2 INCHES (mm)	E INCHES (mm)	WEIGHT LBS (KG)
	METERS	FEET							
3151A-1426	10.75	35'-2"	55.11 (1400)	24.01 (610)	7.28 (185)	-	-	87.32 (2218)	4697 (2135)
3151A-2426	15.75	51'-7"	82.67 (2100)	36.02 (915)	10.83 (275)	-	-	101.1 (2568)	5082 (2310)
3151A-3426	-	-	-	-	-	-	-	-	-
3151A-4426	20.75	68'-0"	110.24 (2800)	49.21 (1250)	14.17 (360)	-	-	114.88 (2918)	5687 (2585)
3151A-5426	23.75	77'-11"	110.24 (2800)	45.27 (1150)	16.14 (410)	-	-	122.76 (3118)	5797 (2635)
3151A-6426	28.0	92'-0"	125.98 (3200)	49.21 (1250)	19.09 (485)	-	-	134.56 (3418)	6072 (2760)
3151A-7426	32.5	106'-7"	-	-	-	-	-	-	-
3151A-8426	-	-	-	-	-	-	-	-	-
3151A-9426	35.5	116'-5"	-	-	-	-	-	-	-