

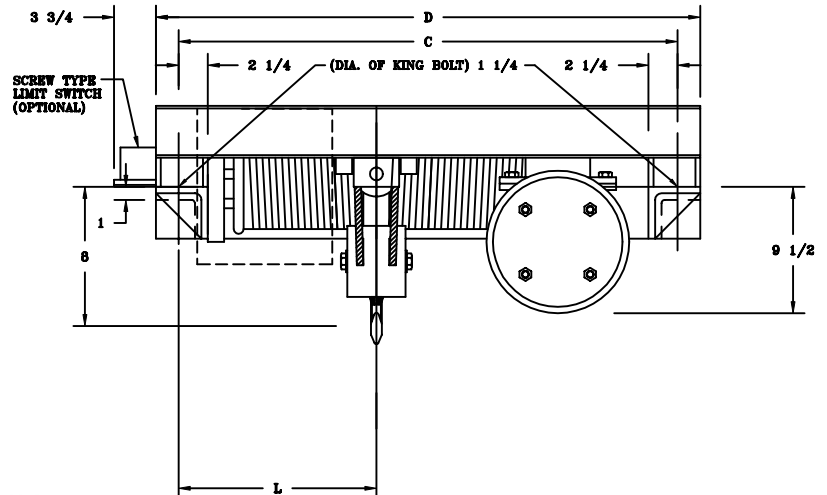
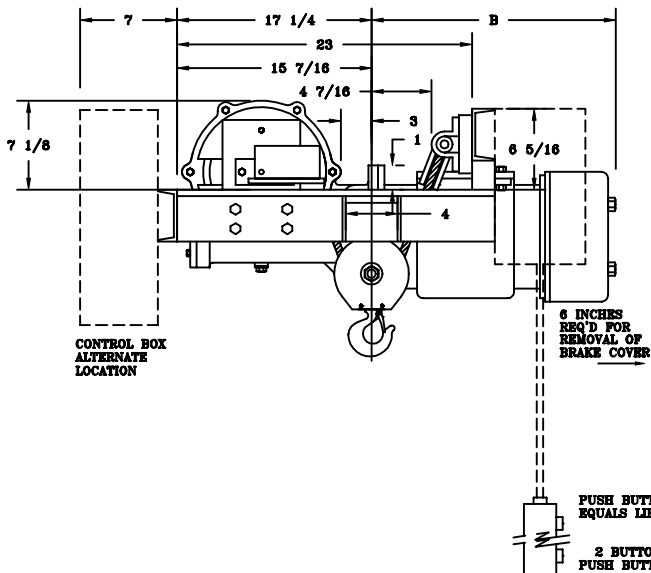
# CHESTER HOIST

WORM DRIVE HOIST  
DATA SHEET E-24AS

## CAPACITY 1-1 1/2 TON

LOW HEADROOM  
LUG TYPE-R

SINGLE HOOK MONORAIL  
2-PART DOUBLE



ALL DIMENSIONS IN INCHES

MODEL NUMBER	CAPACITY (lbs.)	SPEED (fpm)	LIFT (ft.)	REEVING	MOTOR (hp)	B	C	D	I	L	APPROX. WT. (lbs.)
WD-28S	2000	20	16	2PD-1/4	2 @ 1200	19 1/4	36 1/4	39 3/4	2 1/16	12	600
WD-29S	2000	20	26	2PD-1/4	2 @ 1200	19 1/4	42 3/4	46 1/4	2 1/16	15 1/4	650
WD-29AS	2000	20	42	2PD-1/4	2 @ 1200	19 1/4	52 3/4	56 1/4	2 1/16	20 1/4	700
WD-29BS	2000	20	65	2PD-1/4	2 @ 1200	19 1/4	66 3/4	70 1/4	2 1/16	27 1/4	750
WD-21S	2000	30	16	2PD-1/4	3 @ 1800	19 1/4	36 1/4	39 3/4	2 1/16	12	600
WD-22S	2000	30	26	2PD-1/4	3 @ 1800	19 1/4	42 3/4	46 1/4	2 1/16	15 1/4	650
WD-22AS	2000	30	42	2PD-1/4	3 @ 1800	19 1/4	52 3/4	56 1/4	2 1/16	20 1/4	700
WD-22BS	2000	30	65	2PD-1/4	3 @ 1800	19 1/4	66 3/4	70 1/4	2 1/16	27 1/4	750
WD-24S	2000	40	16	2PD-1/4	4 @ 1800	19 1/4	36 1/4	39 3/4	2 1/16	12	600
WD-25S	2000	40	26	2PD-1/4	4 @ 1800	19 1/4	42 3/4	46 1/4	2 1/16	15 1/4	650
WD-25AS	2000	40	42	2PD-1/4	4 @ 1800	19 1/4	52 3/4	56 1/4	2 1/16	20 1/4	700
WD-25BS	2000	40	65	2PD-1/4	4 @ 1800	19 1/4	66 3/4	70 1/4	2 1/16	27 1/4	750
WD-31S	3000	20	16	2PD-1/4	3 @ 1200	19 1/4	36 1/4	39 3/4	2 1/16	12	600
WD-32S	3000	20	26	2PD-1/4	3 @ 1200	19 1/4	42 3/4	46 1/4	2 1/16	15 1/4	650
WD-32AS	3000	20	42	2PD-1/4	3 @ 1200	19 1/4	52 3/4	56 1/4	2 1/16	20 1/4	700
WD-32BS	3000	20	65	2PD-1/4	3 @ 1200	19 1/4	66 3/4	70 1/4	2 1/16	27 1/4	750
WD-34S	3000	30	16	2PD-1/4	5 @ 1800	19 1/4	36 1/4	39 3/4	2 1/16	12	600
WD-35S	3000	30	26	2PD-1/4	5 @ 1800	19 1/4	42 3/4	46 1/4	2 1/16	15 1/4	650
WD-35AS	3000	30	42	2PD-1/4	5 @ 1800	19 1/4	52 3/4	56 1/4	2 1/16	20 1/4	700
WD-35BS	3000	30	65	2PD-1/4	5 @ 1800	19 1/4	66 3/4	70 1/4	2 1/16	27 1/4	750
WD-37S	3000	40	16	2PD-1/4	6 @ 1800	22 1/4	36 1/4	39 3/4	2 5/16	12	625
WD-38S	3000	40	26	2PD-1/4	6 @ 1800	22 1/2	42 3/4	46 1/4	2 5/16	15 1/4	675
WD-38AS	3000	40	42	2PD-1/4	6 @ 1800	22 1/2	52 3/4	56 1/4	2 5/16	20 1/4	700
WD-38BS	3000	40	65	2PD-1/4	6 @ 1800	22 1/2	66 3/4	70 1/4	2 5/16	27 1/4	750

NOTE: WHEN USING SCREW TYPE LIMIT SWITCH ADD 1 INCH TO HEADROOM.

FOR MORE INFO CONTACT: American Crane & Equipment Corp. - Authorized Distributor

Tel: 877-503-2972 Fax: 484-945-0430 Email: sales@americancrane.com Website: www.americancrane.com