

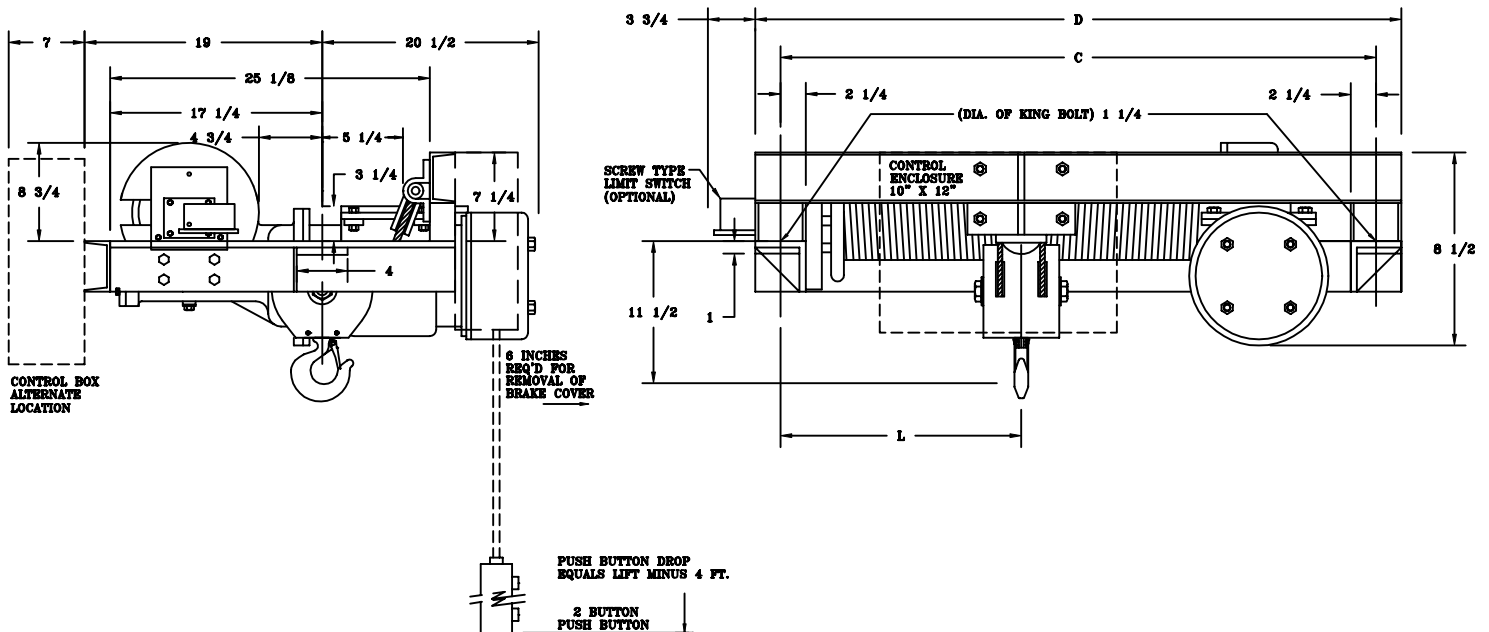
CHESTER HOIST

WORM DRIVE HOIST
DATA SHEET E-76AS

CAPACITY 2-3 TON

LOW HEADROOM
LUG TYPE - S

SINGLE HOOK MONORAIL
2-PART DOUBLE



ALL DIMENSIONS IN INCHES

MODEL NUMBER	CAPACITY (lbs.)	SPEED (fpm)	LIFT (ft.)	REEVING	MOTOR (hp)	C	D	L	APPROX. WT. (lbs.)
WD-41S	4000	20	20	2PD-1/4	4 @ 1200	43 3/8	46 7/8	15	650
WD-42S	4000	20	30	2PD-1/4	4 @ 1200	52 1/8	55 5/8	19 1/4	700
WD-42AS	4000	20	55	2PD-1/4	4 @ 1200	62 1/8	65 5/8	24 1/4	750
WD-44S	4000	30	20	2PD-1/4	6 @ 1800	43 3/8	46 7/8	15	625
WD-45S	4000	30	30	2PD-1/4	6 @ 1800	52 1/8	55 5/8	19 1/4	725
WD-45AS	4000	30	55	2PD-1/4	6 @ 1800	62 1/8	65 5/8	24 1/4	775
WD-67S	6000	20	20	2PD-5/16	6 @ 1200	43 3/8	46 7/8	15	675
WD-68S	6000	20	30	2PD-5/16	6 @ 1200	52 1/8	55 5/8	19 1/4	725
WD-68AS	6000	20	55	2PD-5/16	6 @ 1200	62 1/8	65 5/8	24 1/4	775

NOTE: WHEN USING SCREW TYPE LIMIT SWITCH ADD 1 INCH TO HEADROOM.

FOR MORE INFO CONTACT: American Crane & Equipment Corp. - Authorized Distributor
Tel: 877-503-2972 Fax: 484-945-0430 Email: sales@americancrane.com Website: www.americancrane.com