

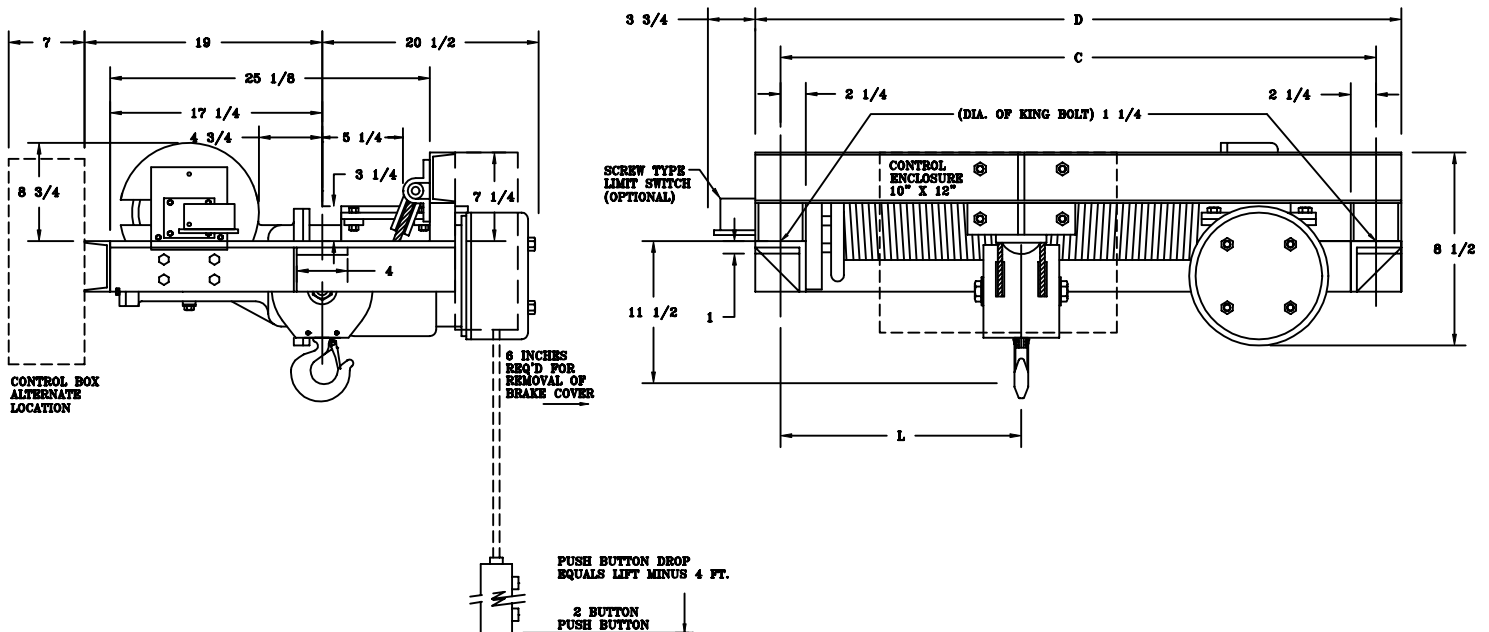
# CHESTER HOIST

WORM DRIVE HOIST  
DATA SHEET E-76AS

## CAPACITY 2-3 TON

LOW HEADROOM  
LUG TYPE - S

SINGLE HOOK MONORAIL  
2-PART DOUBLE



ALL DIMENSIONS IN INCHES

| MODEL NUMBER | CAPACITY (lbs.) | SPEED (fpm) | LIFT (ft.) | REEVING  | MOTOR (hp) | C      | D      | L      | APPROX. WT. (lbs.) |
|--------------|-----------------|-------------|------------|----------|------------|--------|--------|--------|--------------------|
| WD-41S       | 4000            | 20          | 20         | 2PD-1/4  | 4 @ 1200   | 43 3/8 | 46 7/8 | 15     | 650                |
| WD-42S       | 4000            | 20          | 30         | 2PD-1/4  | 4 @ 1200   | 52 1/8 | 55 5/8 | 19 1/4 | 700                |
| WD-42AS      | 4000            | 20          | 55         | 2PD-1/4  | 4 @ 1200   | 62 1/8 | 65 5/8 | 24 1/4 | 750                |
| WD-44S       | 4000            | 30          | 20         | 2PD-1/4  | 6 @ 1800   | 43 3/8 | 46 7/8 | 15     | 625                |
| WD-45S       | 4000            | 30          | 30         | 2PD-1/4  | 6 @ 1800   | 52 1/8 | 55 5/8 | 19 1/4 | 725                |
| WD-45AS      | 4000            | 30          | 55         | 2PD-1/4  | 6 @ 1800   | 62 1/8 | 65 5/8 | 24 1/4 | 775                |
| WD-67S       | 6000            | 20          | 20         | 2PD-5/16 | 6 @ 1200   | 43 3/8 | 46 7/8 | 15     | 675                |
| WD-68S       | 6000            | 20          | 30         | 2PD-5/16 | 6 @ 1200   | 52 1/8 | 55 5/8 | 19 1/4 | 725                |
| WD-68AS      | 6000            | 20          | 55         | 2PD-5/16 | 6 @ 1200   | 62 1/8 | 65 5/8 | 24 1/4 | 775                |

NOTE: WHEN USING SCREW TYPE LIMIT SWITCH ADD 1 INCH TO HEADROOM.

FOR MORE INFO CONTACT: American Crane & Equipment Corp. - Authorized Distributor  
Tel: 877-503-2972 Fax: 484-945-0430 Email: sales@americancrane.com Website: www.americancrane.com