

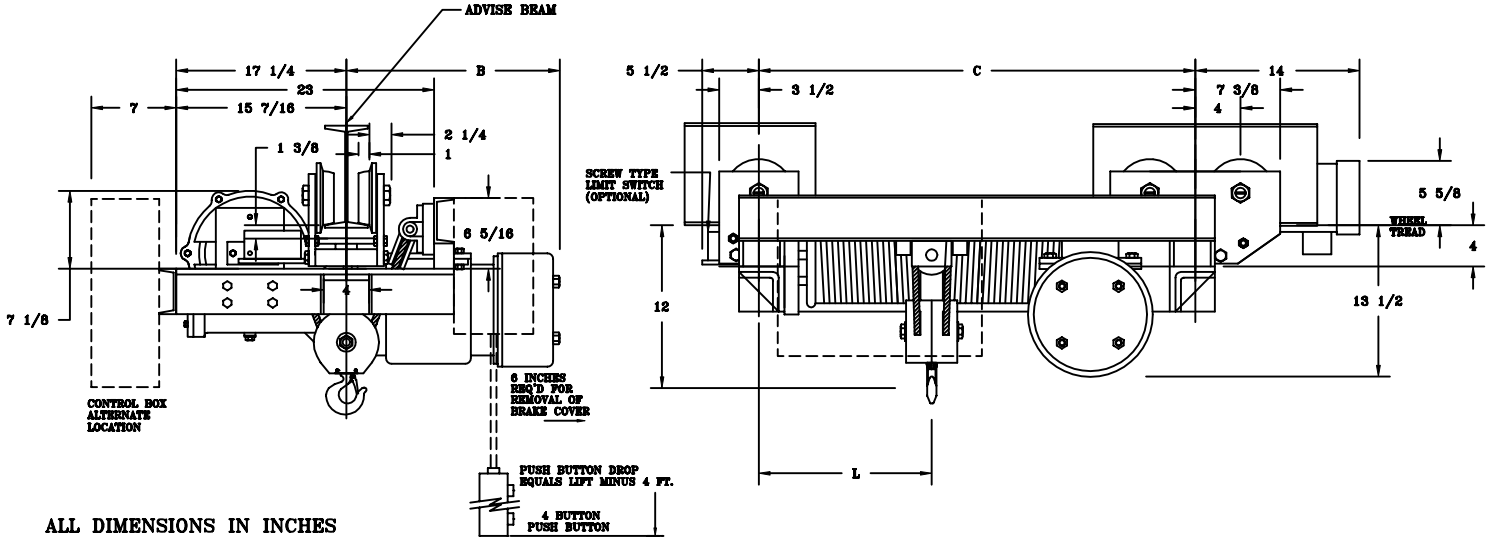
CHESTER HOIST

WORM DRIVE HOIST
 DATA SHEET E-28AS

CAPACITY 1-1 1/2 TON

LOW HEADROOM
 MOTORIZED TROLLEY-R

SINGLE HOOK MONORAIL
 2-PART DOUBLE



ALL DIMENSIONS IN INCHES

MODEL NUMBER	CAPACITY (lbs.)	SPEED (fpm)	LIFT (ft.)	REEVING	MOTOR (hp)	B	C	L	ST'D. I-BEAM		APPROX. WT. (lbs.)
									SIZE	CLEAR*	
WDMT-28S	2000	20	16	2PD-1/4	2 @ 1200	19 1/4	36 1/4	12	7-12	7/8	760
WDMT-29S	2000	20	26	2PD-1/4	2 @ 1200	19 1/4	42 3/4	15 1/4	7-12	7/8	810
WDMT-29AS	2000	20	42	2PD-1/4	2 @ 1200	19 1/4	52 3/4	20 1/4	7-12	7/8	860
WDMT-29BS	2000	20	65	2PD-1/4	2 @ 1200	19 1/4	66 3/4	27 1/4	7-12	7/8	910
WDMT-21S	2000	30	16	2PD-1/4	3 @ 1800	19 1/4	36 1/4	12	7-12	7/8	760
WDMT-22S	2000	30	26	2PD-1/4	3 @ 1800	19 1/4	42 3/4	15 1/4	7-12	7/8	810
WDMT-22AS	2000	30	42	2PD-1/4	3 @ 1800	19 1/4	52 3/4	20 1/4	7-12	7/8	860
WDMT-22BS	2000	30	65	2PD-1/4	3 @ 1800	19 1/4	66 3/4	27 1/4	7-12	7/8	910
WDMT-24S	2000	40	16	2PD-1/4	4 @ 1800	19 1/4	36 1/4	12	7-12	7/8	760
WDMT-25S	2000	40	26	2PD-1/4	4 @ 1800	19 1/4	42 3/4	15 1/4	7-12	7/8	810
WDMT-25AS	2000	40	42	2PD-1/4	4 @ 1800	19 1/4	52 3/4	20 1/4	7-12	7/8	860
WDMT-25BS	2000	40	65	2PD-1/4	4 @ 1800	19 1/4	66 3/4	27 1/4	7-12	7/8	910
WDMT-31S	3000	20	16	2PD-1/4	3 @ 1200	19 1/4	36 1/4	12	7-12	7/8	760
WDMT-32S	3000	20	26	2PD-1/4	3 @ 1200	19 1/4	42 3/4	15 1/4	7-12	7/8	810
WDMT-32AS	3000	20	42	2PD-1/4	3 @ 1200	19 1/4	52 3/4	20 1/4	7-12	7/8	860
WDMT-32BS	3000	20	65	2PD-1/4	3 @ 1200	19 1/4	66 3/4	27 1/4	7-12	7/8	910
WDMT-34S	3000	30	16	2PD-1/4	5 @ 1800	19 1/4	36 1/4	12	7-12	7/8	760
WDMT-35S	3000	30	26	2PD-1/4	5 @ 1800	19 1/4	42 3/4	15 1/4	7-12	7/8	810
WDMT-35AS	3000	30	42	2PD-1/4	5 @ 1800	19 1/4	52 3/4	20 1/4	7-12	7/8	860
WDMT-35BS	3000	30	65	2PD-1/4	5 @ 1800	19 1/4	66 3/4	27 1/4	7-12	7/8	910
WDMT-37S	3000	40	16	2PD-1/4	6 @ 1800	22 1/4	36 1/4	12	7-12	7/8	760
WDMT-38S	3000	40	26	2PD-1/4	6 @ 1800	22 1/4	42 3/4	15 1/4	7-12	7/8	810
WDMT-38AS	3000	40	42	2PD-1/4	6 @ 1800	22 1/4	52 3/4	20 1/4	7-12	7/8	785
WDMT-38BS	3000	40	65	2PD-1/4	6 @ 1800	22 1/4	66 3/4	27 1/4	7-12	7/8	835

* CLEARANCE BASED ON MAX. "S" BEAM SIZE 12" @ 31.8 LBS.
 TROLLEYS FOR OTHER I-BEAMS AND PATENTED TRACKS ARE AVAILABLE.
 MAXIMUM BEAM FLANGE WIDTH 5 INCHES.
 NOTE: WHEN USING SCREW TYPE LIMIT SWITCH ADD 1 INCH TO HEADROOM.