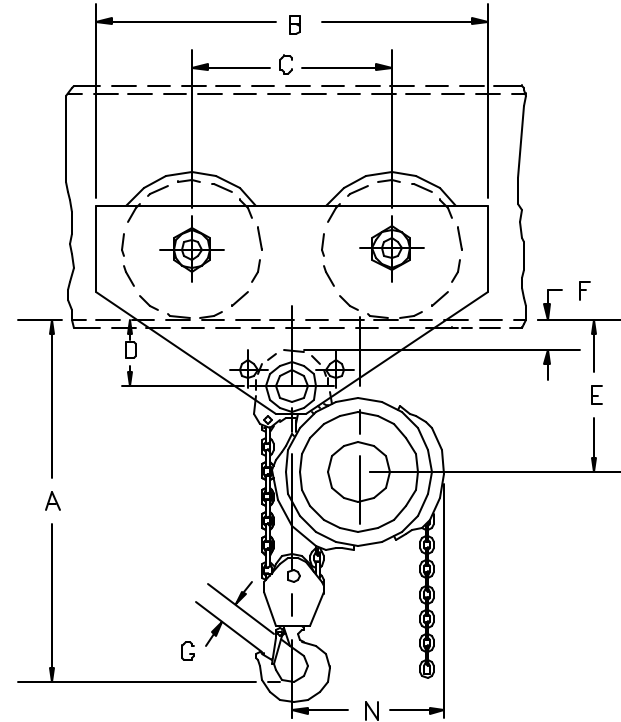
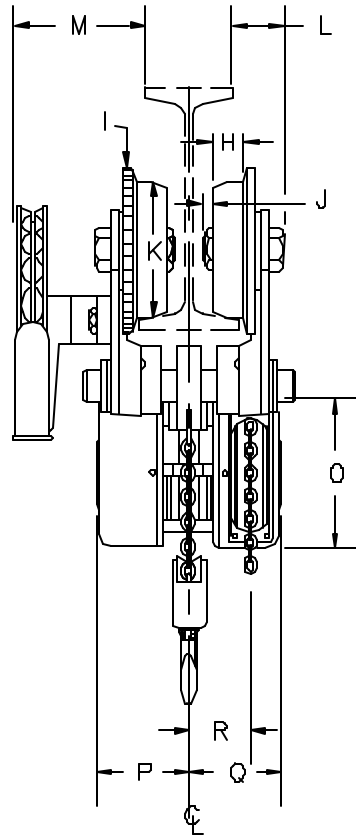


FOR MORE INFO CONTACT: American Crane & Equipment Corp. - Authorized Distributor
 Tel: 877-503-2972 Fax: 484-945-0430 Email: sales@americancrane.com Website: www.americancrane.com

NO. REQ. 1

- * A 19 15/16"
- B 16 3/4"
- C 8 1/2"
- * D 3 1/4" TO CENTER OF EQUALIZING PIN
- * E 8 9/16"
- * F 1 7/16"
- G 1 11/32"
- H 1 11/32"
- I 8" WHEEL FLANGE DIAMETER
- J 3/16"
- L 2 1/2"
- K 6 3/8"
- # M 8 11/16"
- N 11"
- O 9 3/4" COVER O.D.
- P 5"
- Q 5"
- R 3 1/4"



* DIM. ARE TO RUNNING SURFACE OF BEAM FLANGE. CUSTOMER MUST TAKE BEAM FLANGE WIDTH AND THICKNESS INTO CONSIDERATION.
 # APPLIES TO GEARED UNITS ONLY...FOR PLAIN UNITS "L" IS THE SAME ON BOTH SIDES OF UNIT.
 FLAT TREAD WHEELS SUPPLIED FOR FLAT FLANGE BEAMS

THIS UNIT IS ADJUSTABLE FROM 4" - 7 1/8" FLANGE WIDTH
 FLAT OR TAPER FLANGE MUST BE SPECIFIED AT TIME OF ORDER

R1	CONFIG. CHG. CAP CHG. RLB	11/18/02
MK.	REVISIONS	CK-DATE

3 TON ARMY TYPE PLAIN AND
 GEARED TROLLEY HOIST
CHESTER HOIST
 LISBON, OHIO

DR. RLB	TR.	CK.	AP.
SCALE NONE		DATE 11/18/02	
REF. DWG. NO. 3ZATNEW			
Dwg. No. CD043			