

FOR MORE INFO CONTACT: American Crane & Equipment Corp. - Authorized Distributor

NO. REQ. 1

Tel: 877-503-2972 Fax: 484-945-0430 Email: sales@americancrane.com Website: www.americancrane.com

* A 20 3/8"

B 16 3/4"

C 8 1/2"

* D 3 1/4" TO CENTER OF EQUALIZING PIN

* E 8 9/16"

* F 1 7/16"

G 1 11/16"

H 1 11/32"

I 8" WHEEL FLANGE DIAMETER

J 3/16"

L 2 1/2"

K 6 3/8"

M 8 11/16"

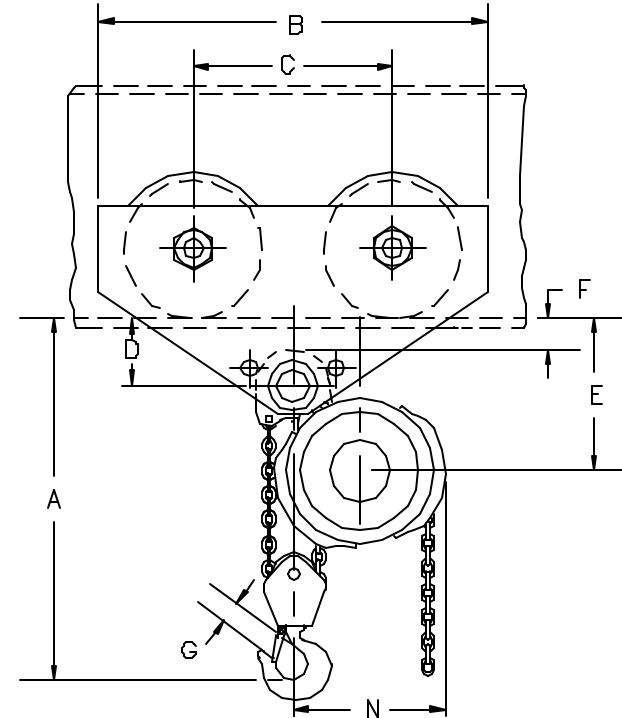
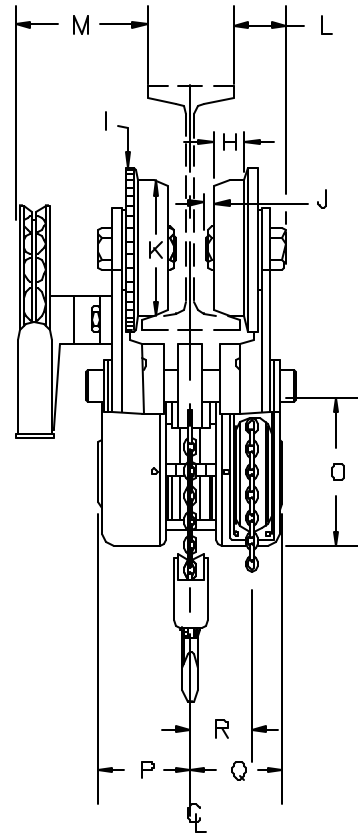
N 11"

O 9 3/4" COVER D.D.

P 5"

Q 5"

R 3 1/4"



* DIM. ARE TO RUNNING SURFACE OF BEAM FLANGE. CUSTOMER MUST TAKE BEAM FLANGE WIDTH AND THICKNESS INTO CONSIDERATION.
 # APPLIES TO GEARED UNITS ONLY...FOR PLAIN UNITS "L" IS THE SAME ON BOTH SIDES OF UNIT.
 FLAT TREAD WHEELS SUPPLIED FOR FLAT FLANGE BEAMS

THIS UNIT IS ADJUSTABLE FROM 4" - 7 1/8" FLANGE WIDTH
 FLAT OR TAPER FLANGE MUST BE SPECIFIED AT TIME OF ORDER

4 TON ARMY TYPE PLAIN AND
 GEARED TROLLEY HOIST

CHESTER HOIST
 LISBON, OHIO

DR. RLB TR. CK. AF.

SCALE NONE DATE 11/18/02

REF. DWG. NO. 4ZATNEW

Dwg. No. CD097

MK. REVISIONS CK-DATE