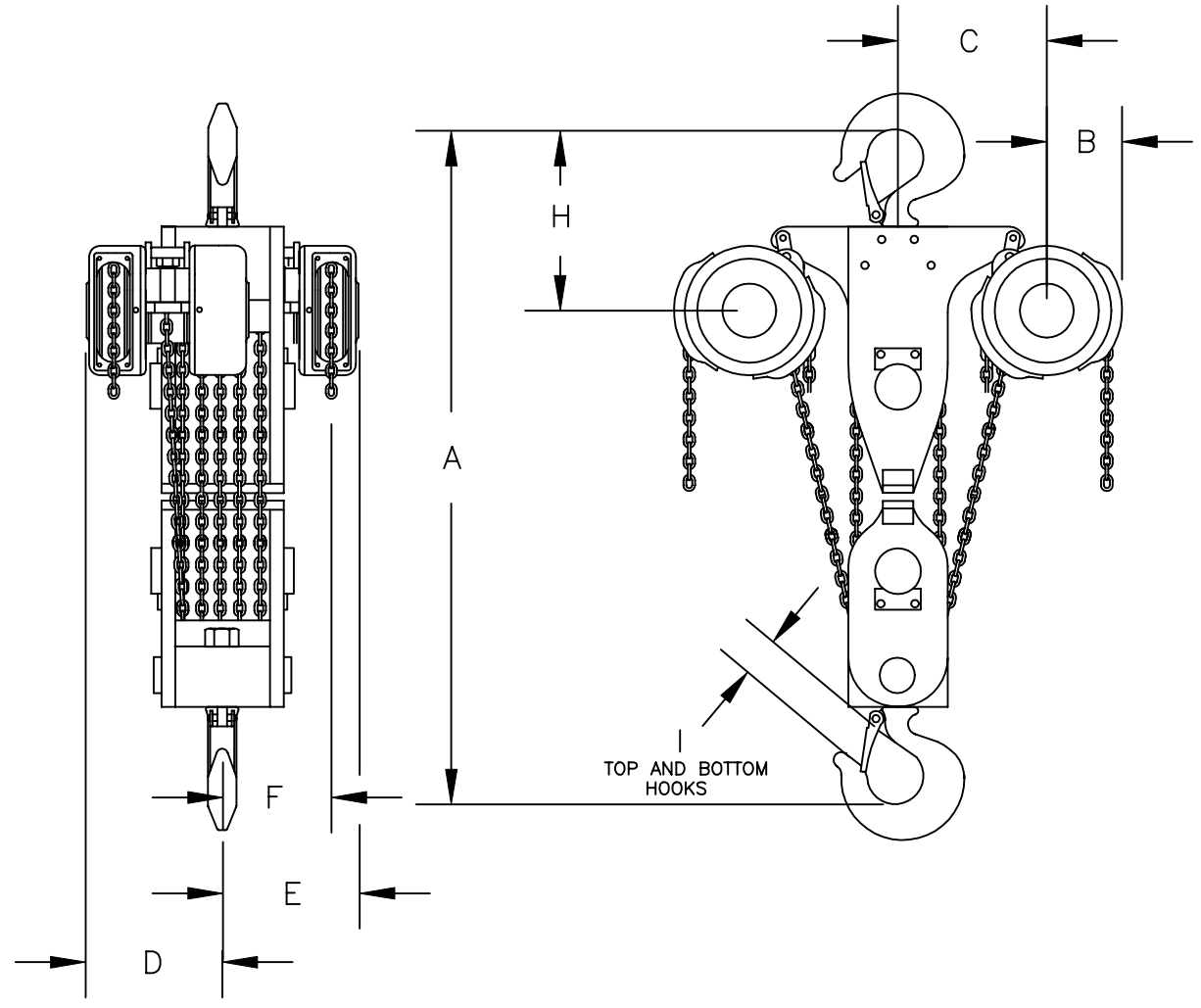


FOR MORE INFO CONTACT:
American Crane & Equipment Corp.
Authorized Distributor
Tel: 877-503-2972
Fax: 484-945-0430
Email: sales@americancrane.com
www.americancrane.com

NO. REQ. 1

- A 56 3/8"
- B 5 3/4"
- C 11 1/8"
- D 10 1/16"
- E 10 1/16"
- F 8 5/16"
- H 15 1/8"
- I 3 5/8"



MK.	REVISIONS	CK-DATE

25 TON SPUR
 GEARED HOIST

CHESTER HOIST
 LISBON, OHIO

DR. RLB	TR.	CK.	AP.
SCALE NONE		DATE 6-19-00	
REF. DWG. NO.		HLSG25 3/97	
Dwg. No. CD029			