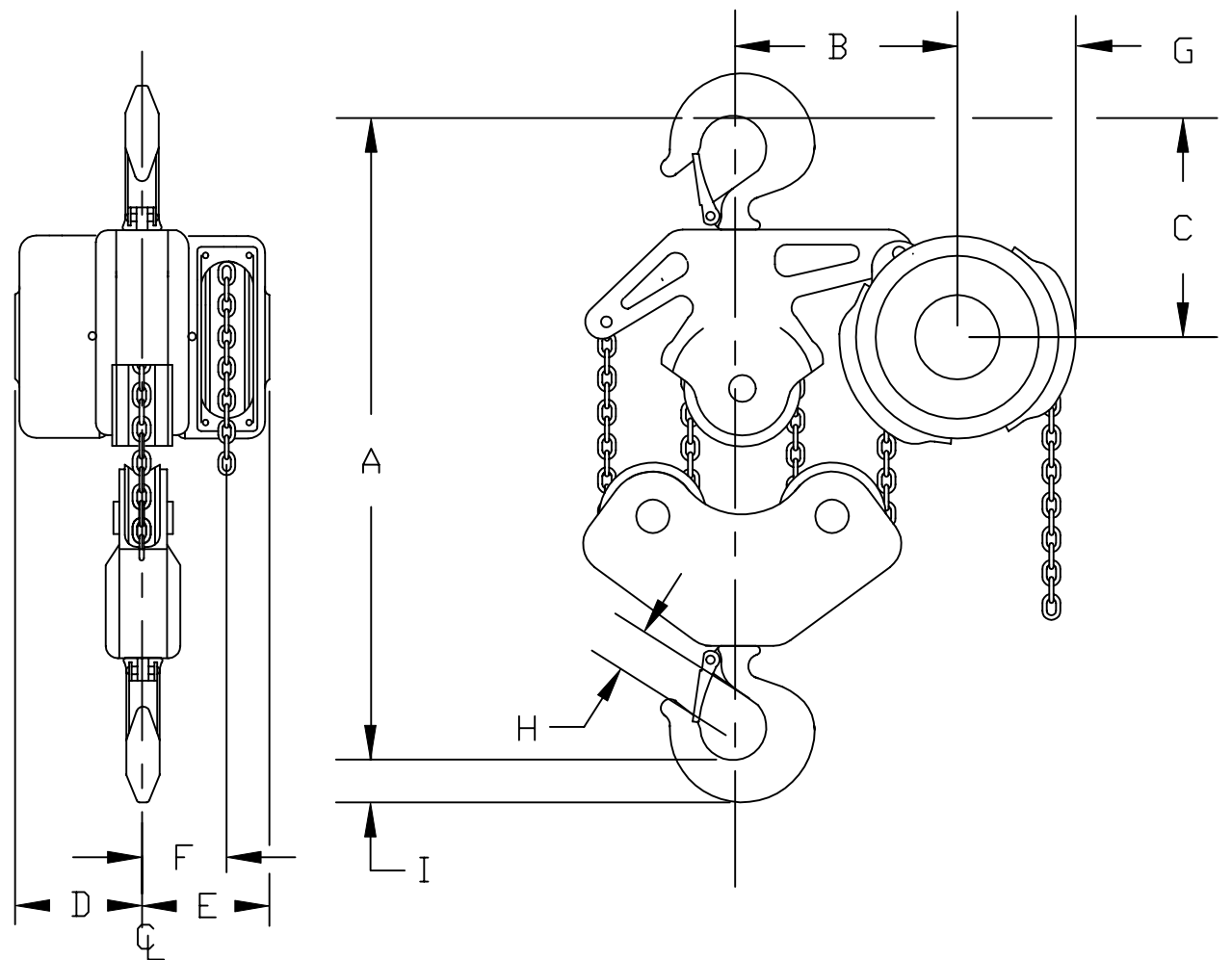


FOR MORE INFO CONTACT:
American Crane & Equipment Corp.
 Authorized Distributor
 Tel: 877-503-2972
 Fax: 484-945-0430
 Email: sales@americancrane.com
 www.americancrane.com

- A 26 3/4"
- B 8 1/2"
- C 11"
- D 5"
- E 5"
- F 3 1/4"
- G 5 3/4"
- * H 2 1/16"
- * I 2 1/4"



* DIM. FOR TOP & BOTTOM HOOK

| | | |
|-----|-----------|---------|
| MK. | REVISIONS | CK-DATE |
| | | |
| | | |
| | | |

8 TON ZEPHYR
 HOOK SUSPENDED SPUR GEARED HOIST
CHESTER HOIST
 LISBON, OHIO

| | | | |
|----------------|-----|--------------|-----|
| DR. RLB | TR. | CK. | AP. |
| SCALE NONE | | DATE 6-19-00 | |
| REF. DWG. NO. | | ZSGH8 | |
| Dwg. No. CD024 | | | |